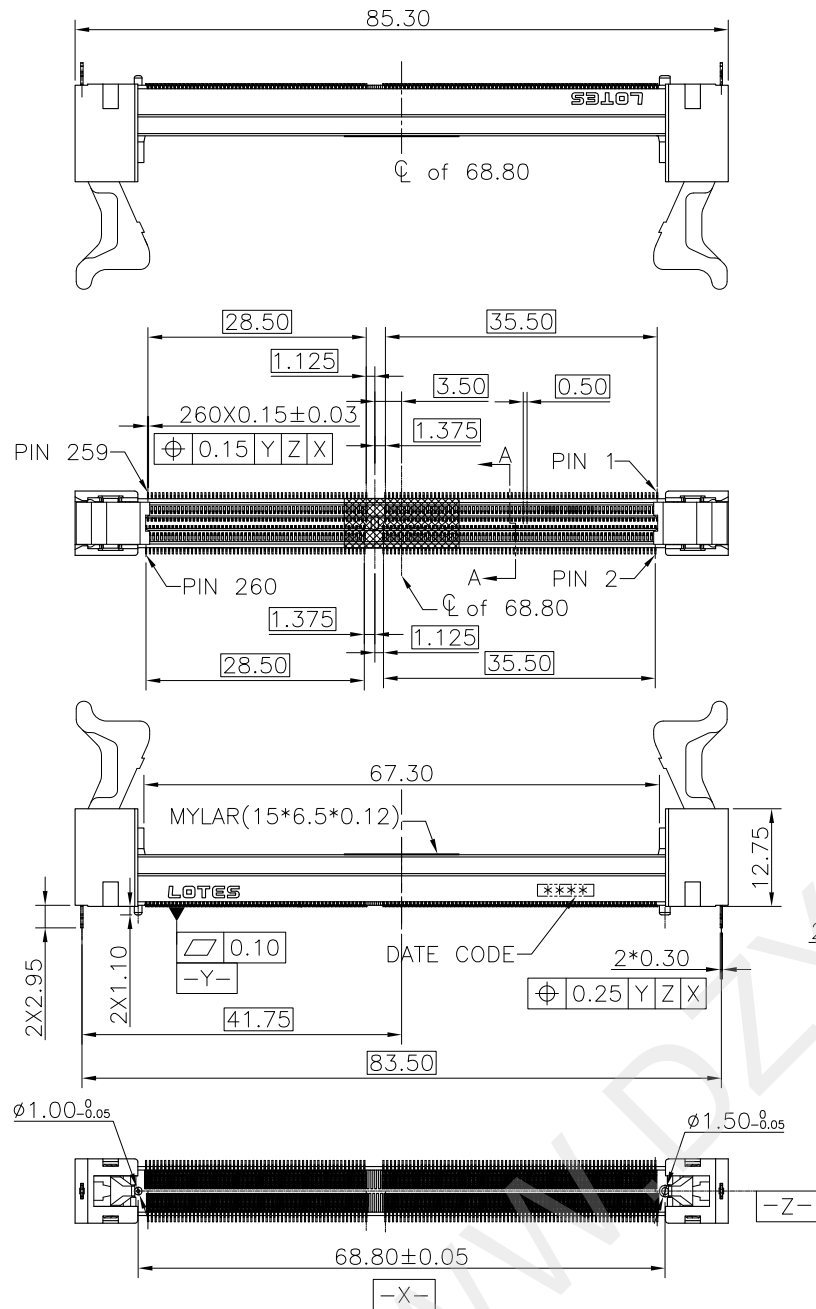


REV.	ECN NO./DESCRIPTION	DATE
1A	R190005	04/25'19
1B	R190005	07/10'19
1C	R190005	10/09'19

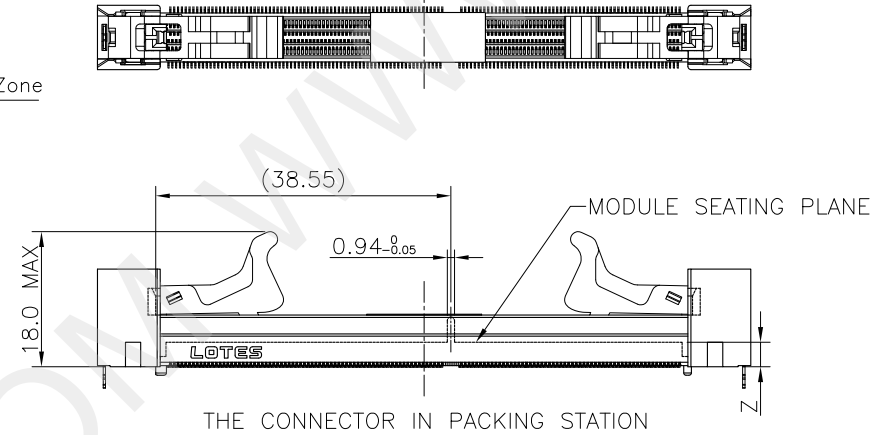
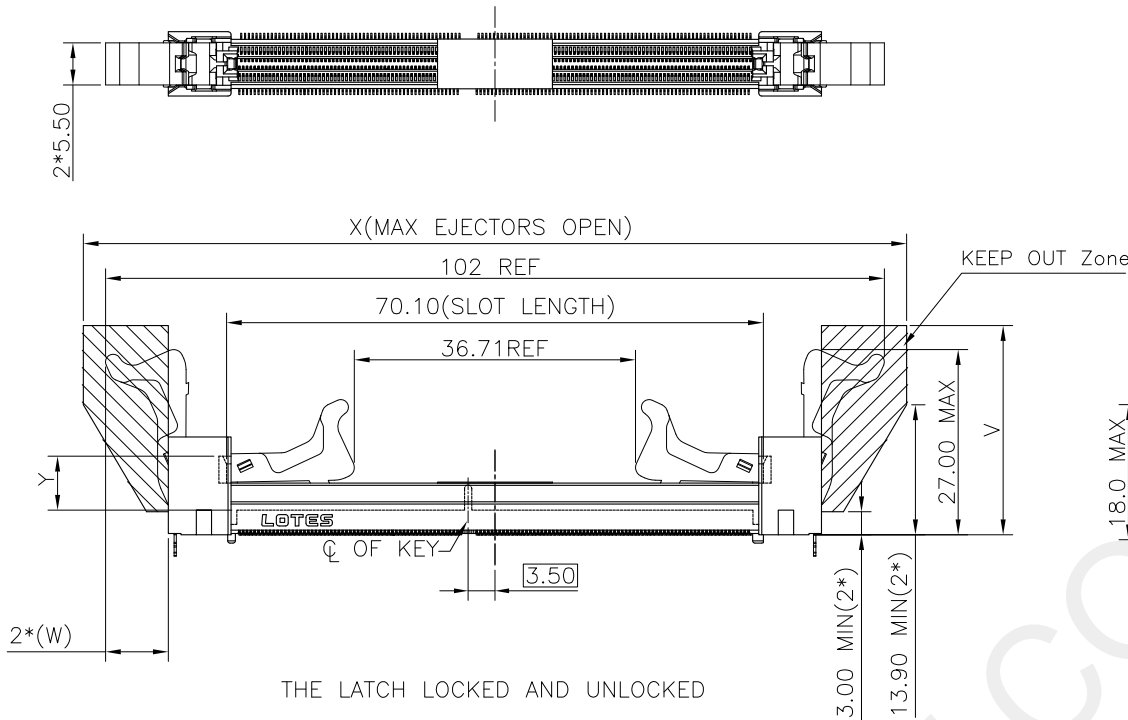
NOTES:

- MATERIAL SPECIFICATION:
  - HOUSING: LCP+40%GF,UL94V-0,COLOR: BLACK.
  - CONTACTS:COPPER\_C7025;
  - HOOK: BRASS\_C2680;
  - EJECTOR: HIGH TEMPERATURE THERMOPLASTIC (SEE TABLE1), UL94V-0, COLOR: SEE TABLE1.
  - MYLAR: INSULATOR MATERIAL, COLOR: BROWN,UL94V-0;
- PLATING SPECIFICATION:
  - CONTACT: NICKEL 50u" MIN. UNDER PLATING OVER ALL.MATTE TIN 100u" MIN. PLATING ON SOLDER AREA.GOLD PLATING SEE TABLE1.
  - HOOK: NICKEL 50u" MIN. UNDER PLATING OVER ALL. MATTE TIN 100u" MIN. PLATING OVER ALL.
- RoHS OR HF COMPLIANT;
- DATE CODE: \*\*\*\*  
 WEEK  
 YEAR
- MECHANICAL PERFORMANCE:
  - MATING FORCE: 11Kgf MAX..
  - DURABILITY: 25 CYCLES.
- ELECTRICAL PERFORMANCE:
  - CURRENT: 0.50A MAX. PER PIN.
  - VOLTAGE: 25V AC MAX..
  - LLCR: 55mΩ MAX. (INITIAL); Δ20mΩ MAX. (FINAL).
  - DIELECTRIC WITHSTANDING VOLTAGE: 250V AC FOR 1 MINUTE.
  - INSULATION RESISTANCE: DC 500V 500MΩ MIN..
- RECOMMENDED PROCESS;  
 THE TEMPERATURE SHALL BE 260±5°C MAINTAINING 10±1 SECONDS.



GENERAL TOLERANCES UNLESS SPECIFIED		PART NO.	<b>LOTES</b>		
.X± 0.35	X.°± 3°	ADDR0075-P001C	TITLE VERTICAL SODDR4 CONNECTOR		
.XX± 0.25	.X.°± 2°	APPROVED BY DEFANG.HU			
.XXX±0.15	.XX.°± 1°	CHECKED BY LIMING.ZHANG	DWG NO. ADDR0075-P001C		
CUSTOMER DRAWING		DRAWN BY RONGMEI.ZHANG	SHEET 1 / 5	SCALE 1:1	REV 1C
SIZE A4	UNITS MM[INCH]	DRAWN BY RONGMEI.ZHANG			

REV.	ECN NO./DESCRIPTION	DATE
1A	R190005	04/25'19
1B	R190005	07/10'19
1C	R190005	10/09'19



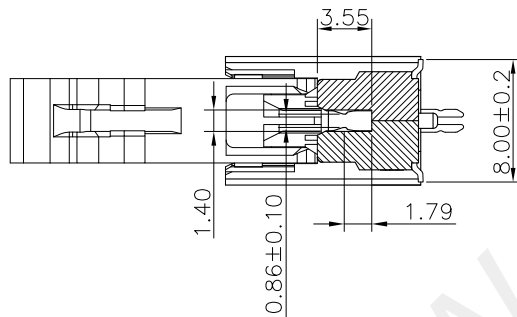
THE LATCH LOCKED AND UNLOCKED

THE CONNECTOR IN PACKING STATION

NOTES:

⚠ A MINIMUM HEIGHT OF Y MEASURED TO THE HIGHEST POINT OF THE SOCKET TO MODULE ENGAGEMENT IS REQUIRED TO PREVENT THE MEMORY MODULE TILTING RELATIVE TO DATUM B OF THE SOCKET.

⚠ DIMENSION IS FROM THE BOTTOM OF THE SOCKET PCB REFERENCE, DATUM A, TO THE SEATING PLANE OF THE SODDR4 DIMM IN THE SOCKET.



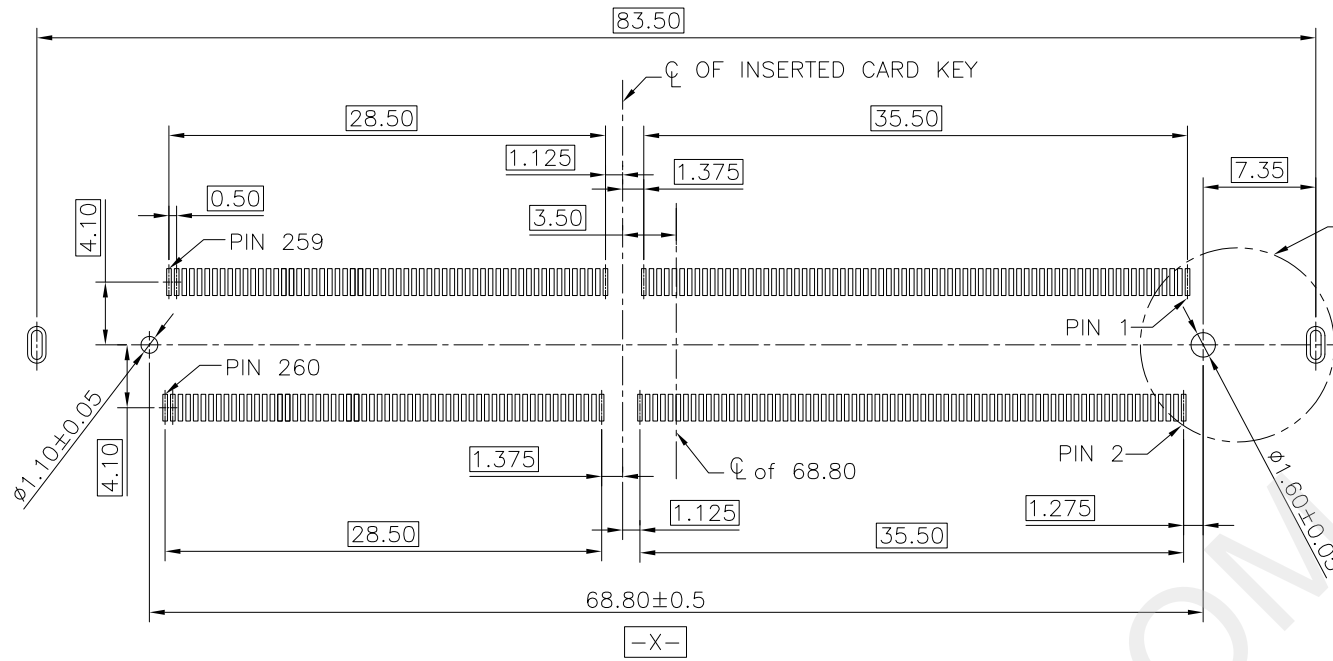
SECTION A-A  
SCALE 2:1

TABLE 2:

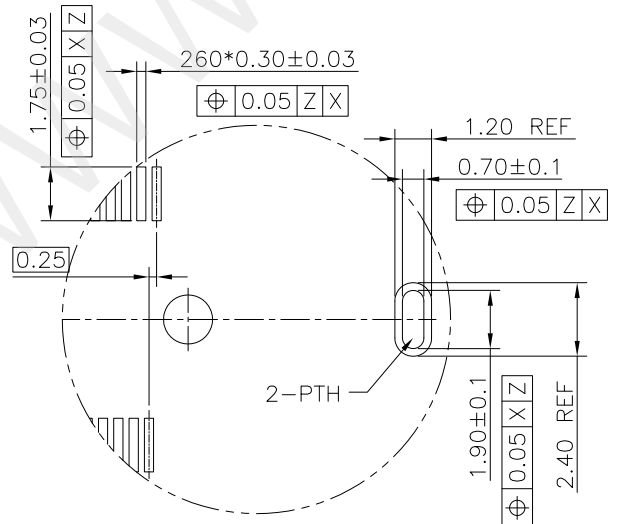
VARIATIONS				
SYMBOL	MIN	NOM	MAX	NOTES
X			107.00	
Y	6.80			⚠
V			28.00	
W		8.5REF		
Z			3.55	⚠

GENERAL TOLERANCES UNLESS SPECIFIED		PART NO.	<b>LOTES</b>			
.X ± 0.35	X.° ± 3°	ADDR0075-P001C				
.XX ± 0.25	.X.° ± 2°	APPROVED BY DEFANG.HU	TITLE VERTICAL SODDR4 CONNECTOR			
.XXX ± 0.15	.XX.° ± 1°	CHECKED BY LIMING.ZHANG	DWG NO. ADDR0075-P001C			
CUSTOMER DRAWING		DRAWN BY RONGMEI.ZHANG		SHEET	SCALE	REV
SIZE A4	UNITS MM [INCH]			2 / 5	1:1	1C

REV.	ECN NO./DESCRIPTION	DATE
1A	R190005	04/25'19
1B	R190005	07/10'19
1C	R190005	10/09'19



DETAIL A



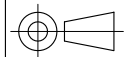
DETAIL A  
SCALE 2:1

RECOMMENDED PCB LAYOUT (TOP VIEW)  
DEFAULT TOLERANCES:±0.05MM

TABLE 1:

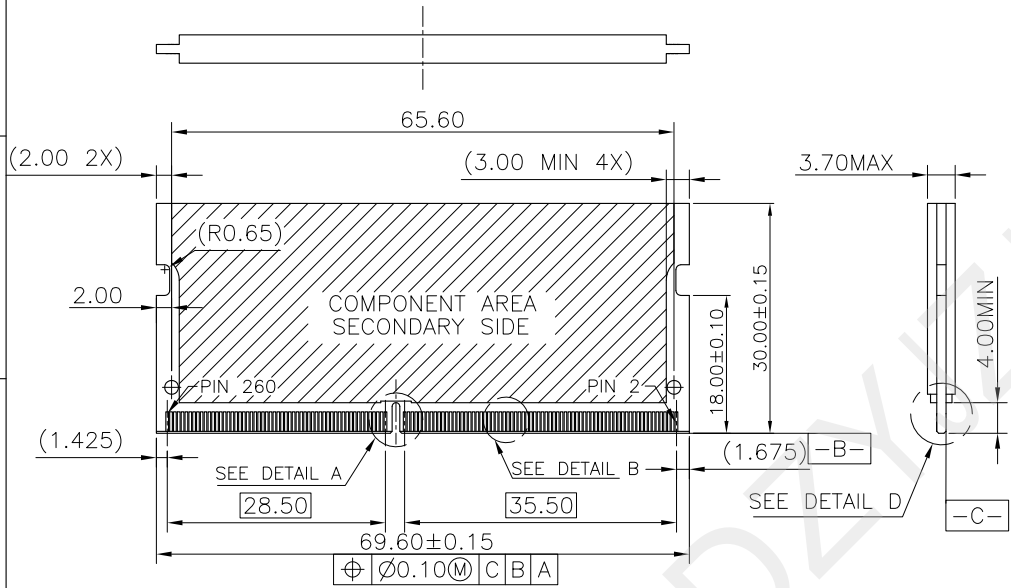
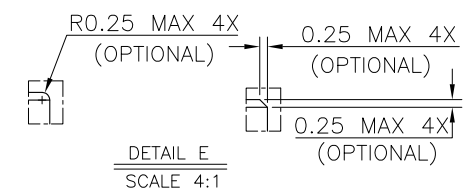
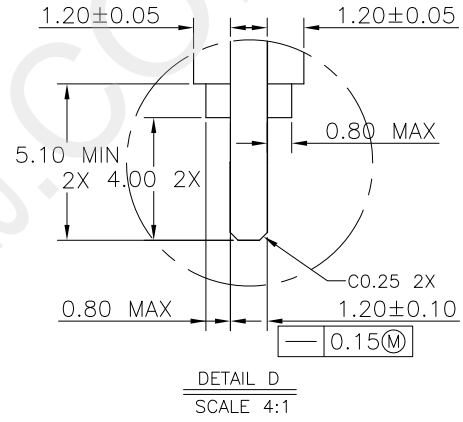
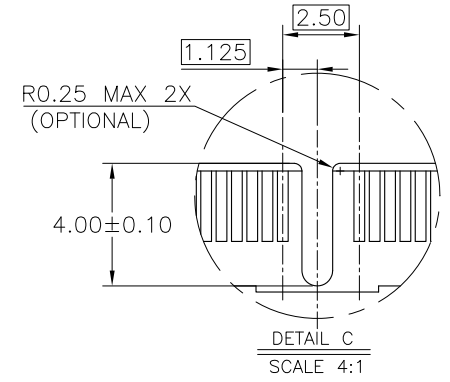
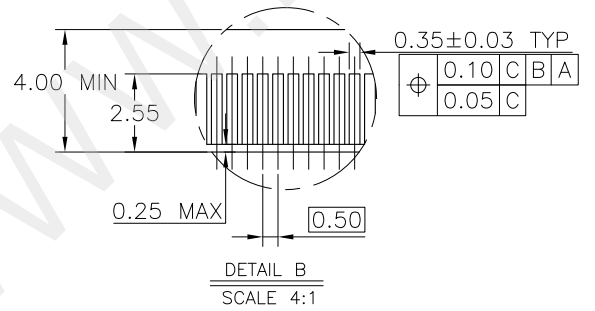
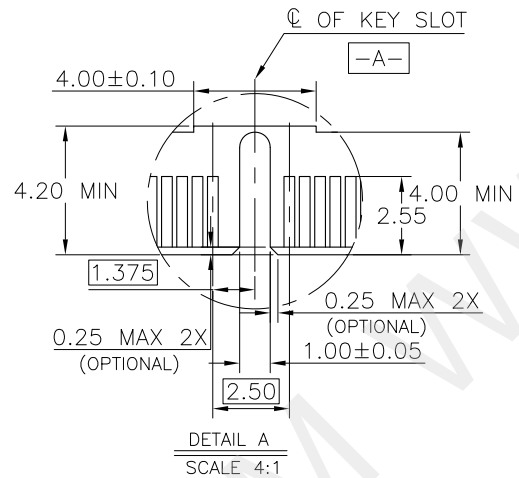
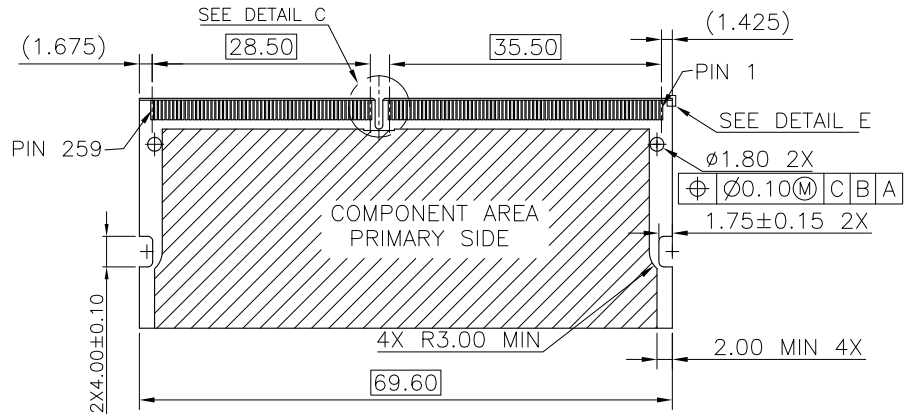
NO.	PART NO.	DESCRIPTION
1	808003411	LCP_BLACK,Au15u",EJECTOR WHITE

GENERAL TOLERANCES UNLESS SPECIFIED		PART NO.	<b>LOTES</b>		
.X ± 0.35	X.° ± 3°	ADDR0075-P001G			
.XX ± 0.25	.X.° ± 2°	APPROVED BY	TITLE VERTICAL SODDR4 CONNECTOR		
.XXX ± 0.15	.XX.° ± 1°	DEFANG.HU			
CUSTOMER DRAWING		CHECKED BY	DWG NO. ADDR0075-P001C		
		LIMING.ZHANG			
SIZE	UNITS	DRAWN BY	SHEET SCALE REV		
A4	MM[INCH]	RONGMEI.ZHANG			



SHEET	SCALE	REV
3 / 5	2:1	1C

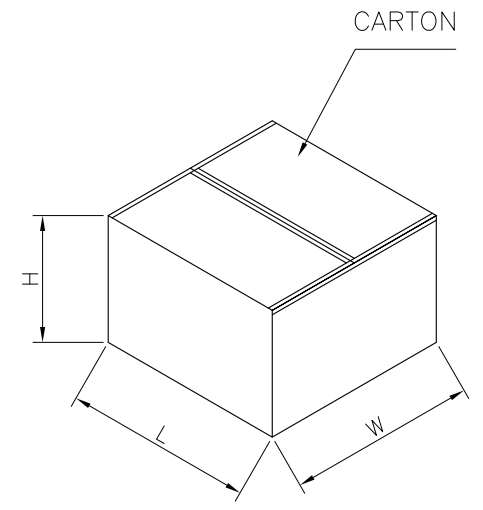
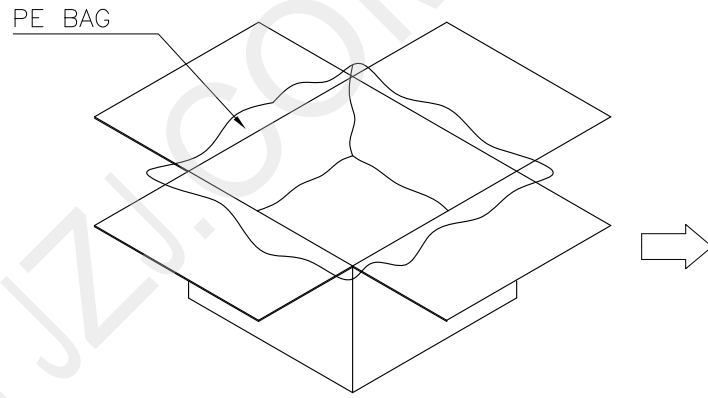
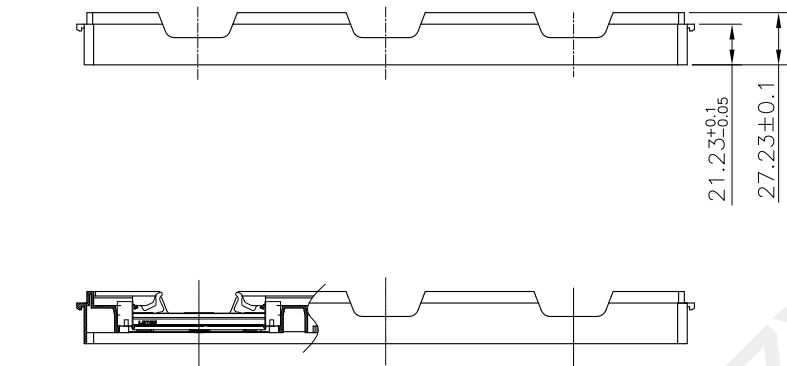
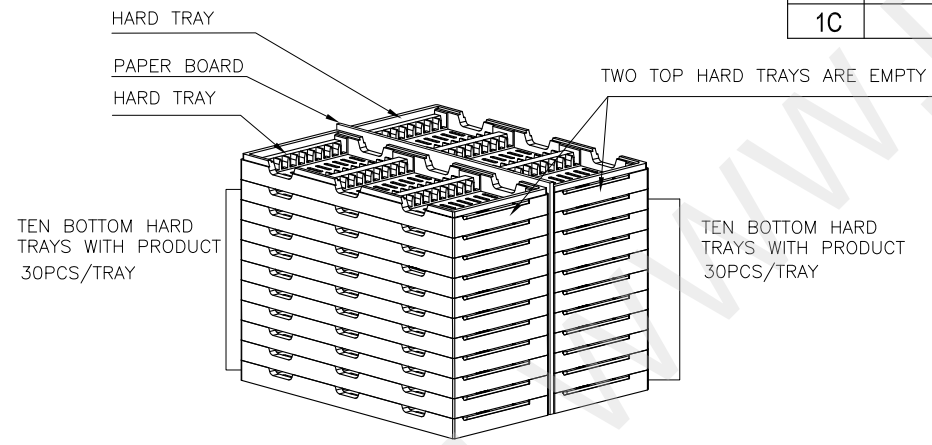
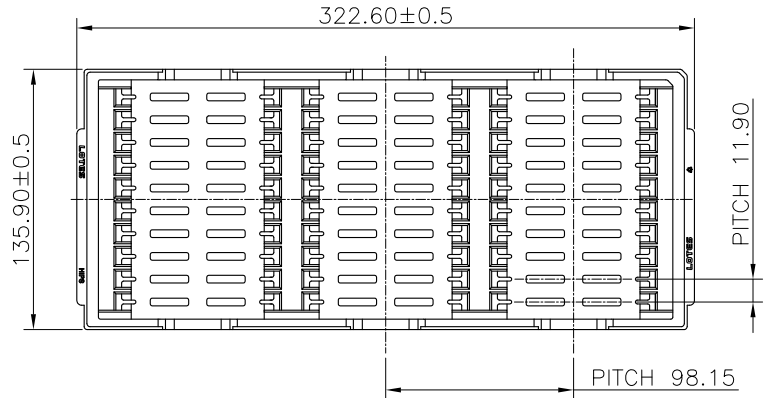
REV.	ECN NO./DESCRIPTION	DATE
1A	R190005	04/25'19
1B	R190005	07/10'19
1C	R190005	10/09'19



- MATING P.C.B NOTES:
1. TOLERANCE ON ALL DIMENSIONS  $\pm 0.05$  UNLESS OTHERWISE SPECIFIED;
  2. PCB THICKNESS APPLIES ACROSS TABS AND INCLUDES PLATING AND/OR METALIZATION;
  3. FINISH OF PAD: Au PLATING 30u"min OVER Ni PLATING 80u" MIN.;
  4. NO BURR.
  5. CHAMFER 0.25mm max. X 45° IF EXIST.

GENERAL TOLERANCES UNLESS SPECIFIED		PART NO.	LOTES		
.X ± 0.35	X.° ± 3°	ADDR0075-P001C	TITLE		
.XX ± 0.25	.X.° ± 2°	APPROVED BY	VERTICAL		
.XXX ± 0.15	.XX.° ± 1°	DEFANG.HU	SODDR4 CONNECTOR		
CUSTOMER DRAWING		CHECKED BY	DWG NO.		
		LIMING.ZHANG	ADDR0075-P001C		
SIZE	UNITS	DRAWN BY	SHEET	SCALE	REV
A4	MM[INCH]	RONGMEI.ZHANG	4 / 5	1:1	1C

REV.	ECN NO./DESCRIPTION	DATE
1A	R190005	04/25'19
1B	R190005	07/10'19
1C	R190005	10/09'19



NO.	DESCRIPTION	PART NO.	SPECIFICATION	QT'Y
5	PE BAG	G09-6-50025-K01	520*500;T=0.15	2 PCS
4	CARTON	G09-1-30018-P02	338*295*265;K=K	1 PCS
3	PAPER BOARD	G09-3-30018-P01	300*270*6	3 PCS
2	HARD TRAY	G09-A-30164-K01	322.6*135.9*27.23;HIPS_BLACK	22 PCS
1	CONNECTOR	SEE TABLE 1	SEE TABLE 1	600 PCS

GENERAL TOLERANCES UNLESS SPECIFIED		PART NO.	<b>LOTES</b>			
.X ± 0.35	X.° ± 3°	ADDR0075-P001C	TITLE VERTICAL SODDR4 CONNECTOR			
.XX ± 0.25	.X.° ± 2°	APPROVED BY DEFANG.HU				
.XXX ± 0.15	.XX.° ± 1°	CHECKED BY LIMING.ZHANG	DWG NO. ADDR0075-P001C			
<b>CUSTOMER DRAWING</b>		DRAWN BY RONGMEI.ZHANG				
SIZE A4	UNITS MM [INCH]			SHEET 5 / 5	SCALE 1:2	REV 1C