

PCB Layout Diagram
Bottom View

NOTE:

1.MATERIAL:

a.HOUSING:LCP WHITE UL94 V-0

b.CONTACT:PHOSPHOR BRONZE

(SURFACE PLATING: Au-PLATING)

SEE ORDERING INFORMATION

2.ELECTRIC:

a.CONTACT RESISTANCE: 50 MILLIOHMS MAX

b.INSULATION RESISTANCE: 100 MEGA OHMS MIN

c.DIELECTRIC VOLTAGE: 500V AC ONE MINUTE

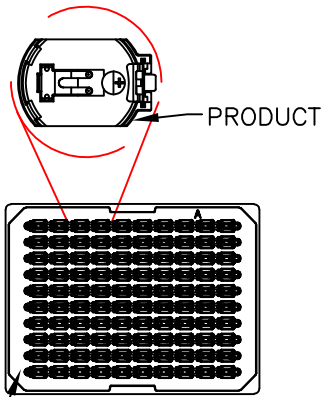
d.OPERATING TEMPERATURE: -25° C~ +85° C

3	TERMINAL-	1	PHOSPHOR BRONZE, T=0.2mm	Au-Plating
2	TERMINAL+	1	PHOSPHOR BRONZE, T=0.2mm	Au-Plating
1	HOUSING	1	LCP UL94 V-0	WHITE
NO.	PART NAME	Q'TY	MATERIAL	PLATING & COLOR



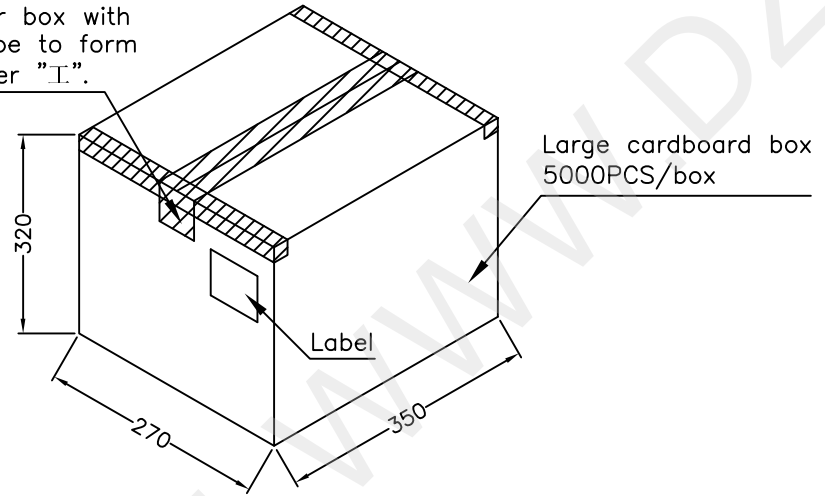
深圳市华宇创精密电子有限公司

TOLERANCE: X.X ±0.30 X.XX ±0.25 X.XXX ±0.15 X' ±2' X.X' ±0.5'	DRAWN BY : 陈一鸣	DATE : 2014-02-23	PART NAME: 电池座		
	CHECKED BY: 马跃	DATE : 2014-02-23	PART NO. HYC-BS-2016-8-2	MOLD NO.	
UNIT: mm [inch] SCALE:1:1 SIZE: A4	APPROVED BY: 邱敏	DATE : 2014-02-23	DRAW NO: HYC-2606231655	SHEET NO. 1 OF 1	



Each plate contains 10 rows, each row contains 10 PCS, for a total of 100 PCS

Seal the top and bottom of the outer box with adhesive tape to form the character "工".



Large cardboard box 5000PCS/box

Label

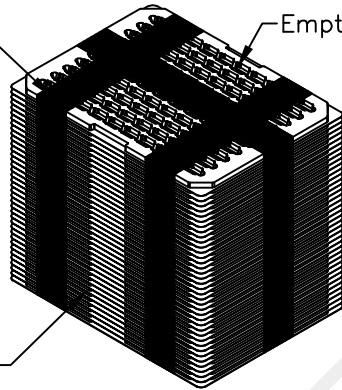
320

270

350

Transparent film wrapping "工"

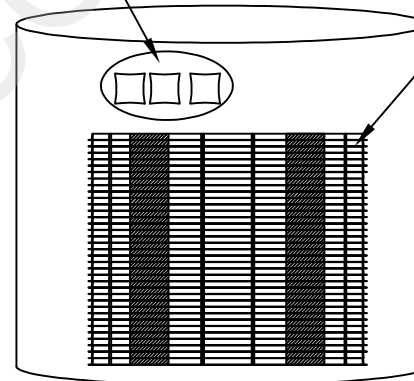
Empty plastic tray



51 plastic trays are bundled together, with an empty plastic tray at the top, totaling 5000 products.

desiccant 3PCS

Large plastic bag 5000PCS/bag



Packaging information:

1. Each plate contains 10 rows, each row contains 10 PCS, for a total of 100 PCS;
2. 51 plastic trays are bundled together, with an empty plastic tray at the top, totaling 5000 products;
3. Each large plastic bag contains 50 plates of products, totaling 5000 products;
4. Each outer box contains a large plastic bag, totaling 5000 products
5. Seal the top and bottom of the outer box with adhesive tape to form the character "工";



深圳市华宇创精密电子有限公司

TOLERANCE: X.X ±0.30 X.XX ±0.25 X.XXX ±0.15 X' ±2' X.X' ±0.5'	DRAWN BY : 陈一鸣	DATE : 2014-02-23	PART NAME: 包装图	
	CHECKED BY: 马跃	DATE : 2014-02-23	PART NO.	
UNIT: mm [inch] SCALE:1:1 SIZE: A4	APPROVED BY: 邱敏	DATE : 2014-02-23	MOLD NO.	
			DRAW NO:	
			SHEET NO.	1 OF 1

