

额定电流 Current rating: 1.0A
 额定电压 Voltage rating: 250V
 耐电压 Withstand coltage: 1400V AC/minute
 接触电阻 Contact resistance : ≤15mΩ
 绝缘电阻 Insulation resistance: 5000MΩ
 工作温度 Working temperature: -55° c ~ +105° c

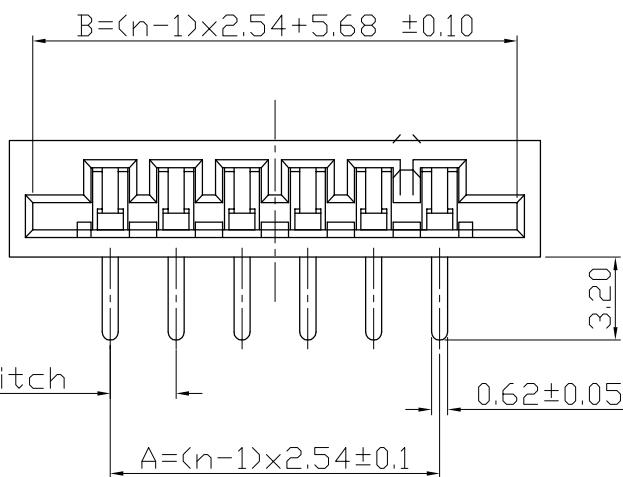
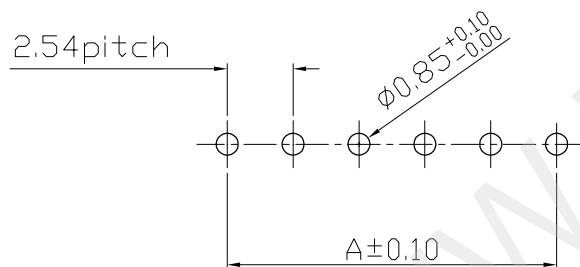


TABLE :

N	A	B	C	N	A	B	C
16	38.10	43.78	45.88	3	5.08	10.76	12.86
17	40.64	46.32	48.42	4	7.62	13.30	15.40
18	43.18	48.86	50.96	5	10.16	15.84	17.94
19	45.72	51.40	53.50	6	12.70	18.38	20.48
20	48.26	53.94	56.04	7	15.24	20.92	23.02
21	50.80	56.48	58.58	8	17.78	23.46	25.56
22	53.34	59.02	61.12	9	20.32	26.00	28.10
23	55.88	61.56	63.66	10	22.86	28.54	30.64
24	58.42	64.10	66.20	11	25.40	31.08	33.18
25	60.96	66.64	68.74	12	27.94	33.62	35.72
				13	30.48	36.16	38.26
				14	33.02	38.70	40.80
				15	35.56	41.24	43.34



PCB 寸法
PCB Layout



深圳市华宇创精密电子有限公司

TOLERANCE:

X.X ±0.30
 X.XX ±0.25
 X.XXX ±0.15
 X.' ±2' X.X' ±0.5'

DRAWN BY :

陈一鸣

DATE :

2014-02-23

PART NAME:

2.54PH A型卧式插板弯针

CHECKED BY:

马跃

DATE :

2014-02-23

PART NO.

HYCE5-254FPCXX-670

APPROVED BY:

柯南

DATE :

2014-02-23

DRAW NO:

HYC-FPC18120758

SCALE:1:1 SIZE: A4

SHEET NO.

1 OF 1