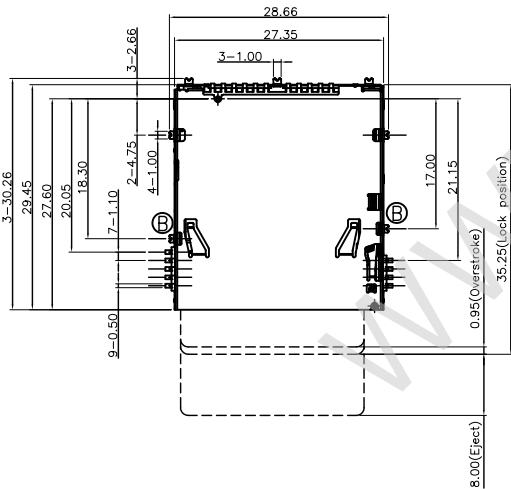


WWW.DZYJZJ.COM

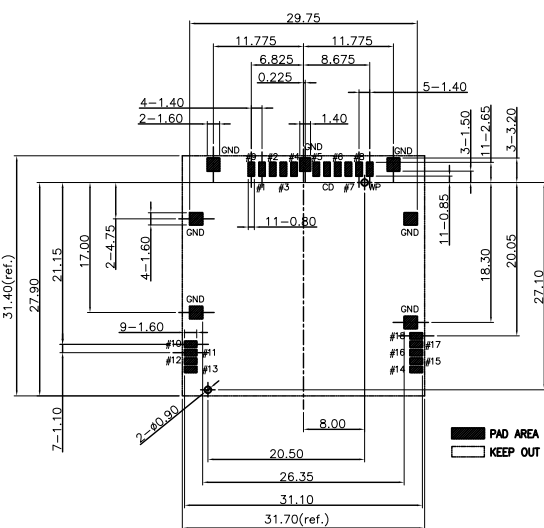


Pin Assignment

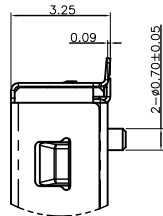
Pin#	SD Mode	UHS II Mode	SD Express	Card	Pin#	SD Mode	UHS II Mode	SD Express	Card
#1	CD/DAT3			PERST#	#11		DO+		PCle_Tx+
#2	CMD				#12		DO-		PCle_Tx-
#3	VSS1	VSS1	VSS1		#13		VSS4		VSS4
#4	VDD	VDD1	VDD1		#14		VDD2		VDD2
#5	CLK				#15		D1-		PCle_Rx-
#6	VSS2	VSS2	VSS2		#16		D1+		PCle_Rx+
#7	DAT0	RCLK+	REFCLK+		#17		VSS5		VSS5
#8	DAT1	RCLK-	REFCLK-		#18				VDD3
#9	DAT2		CLKREQ#	CD	Card Detect				
#10		VSS3	VSS3	WP	Write Protect				

Note:

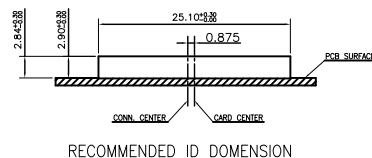
- Material:
 - 1-1. Plastic: HEAT RESISTANCE LCP, Black, HF, UL94V-0
 - 1-2. Contact: Copper Alloy
 - 1-3. Shell: Stainless Steel
- Plating:
 - 2-1. Contact:
 - Contact Area: Au 1μ" min. Plating Over Ni 50μ" min.
 - Soldertile: Gold Flash Plating Over Ni 50μ" min.
 - 2-2. Shell:
 - Solderable Ni 50μ" min. Over All
- Contact And Soldertile Coplanarity to be 0.10mm max.
- Electrical Characteristics:
 - 4-1. Contact Current Rating: 0.5Amperes.
 - 4-2. Dielectric Withstanding Voltage: AC500V r. m. s.
 - 4-3. Insulation Resistance: 1000 Megohms
 - 4-4. Contact Resistance: 100 Miliohms Maximum.
- Environmental:
 - 5-1. Operating Temperature: -25° C to +85° C.
 - 5-2. Salty spray: 48H
- Steel mesh: Recommending a metal mask more than 0.13mm chick.
 - If use a metal mask less than 0.13mm thick, please confirm solderability.




RECOMMENDED PCB LAYOUT (TOP VIEW)
TOLERANCE UNLESS OTHERWISE SPEC ±0.05



Detail A
Scale 4 : 1



RECOMMENDED ID DIMENSION

 深圳市华宇创精密电子有限公司			
TOLERANCE: X.X ±0.30 X.XX ±0.25 X.XXX ±0.15 X' ±2' X.X' ±0.5'	DRAWN BY : 陈一鸣	DATE : 2014-02-23	PART NAME: SD 7.0 PUSH 3.25H
	CHECKED BY : 马跃	DATE : 2014-02-23	PART NO. : HVC105-SD20-325
UNIT: mm [inch] SCALE:1:1 SIZE: A4	APPROVED BY : 邱敏	DATE : 2014-02-23	DRAW NO. : HVC-2509191504
			SHEET NO. : 1 OF 1