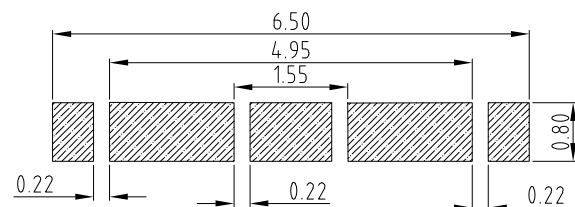
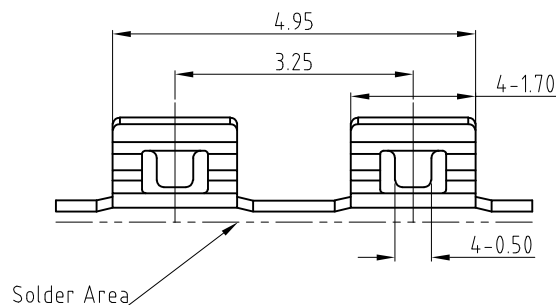
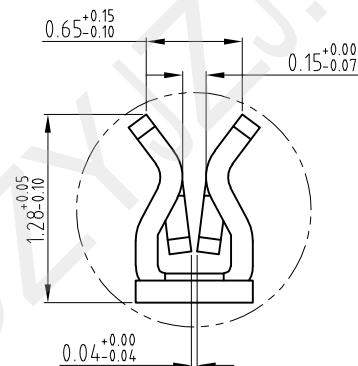


3D View



METAL MASK T=0.08  
TOLERANCE: ±0.05MM  
(FOR REFERENCE ONLY)



Detail I  
Scale 2:1

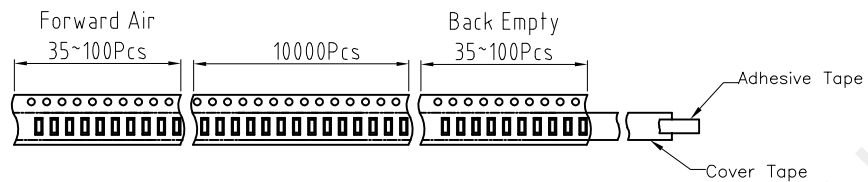
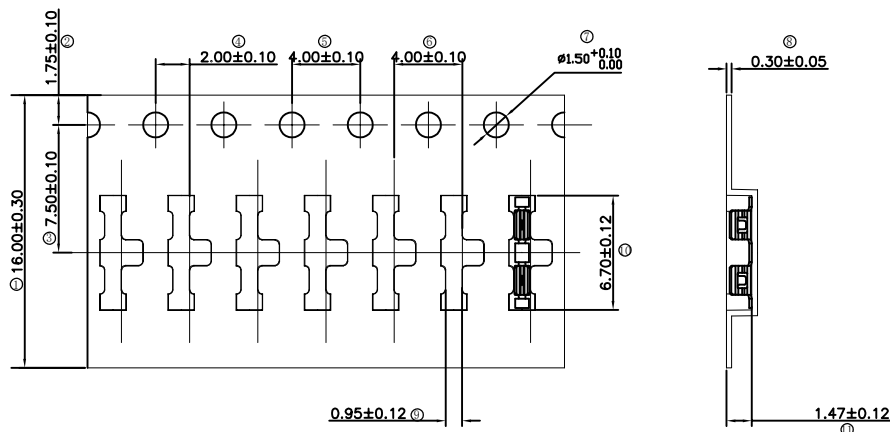
NOTES:

- 1: MATERIAL
  - 1-1: SUS-301 THICKNE=0.15MM
- 2: SPECIFICATIONS
  - 2-1: CONTACT RESISTANCE: 80mΩ/MAX
  - 2-2: RATED CURRENT: 1.0A
  - 2-3: VOLTAGE RATING: 1.5V
  - 2-4: WELDING THRUST: ≥3KG
  - 2-5: CLAMPING FORCE: 60-120g
  - 2-6: OPERATING TEMPERATURE: -40°C~+85°C
- 3: DURABILITY: 200 CYCLES
- 4: SALT SPRAY TIME: 24H
- 5: ELECTROPLATE: THE NICKEL-PLATED SUBSTRATE IS 50u" MIN
- 6: REQUIREMENTS
  - 6-1: TERMINAL TO EAT FULL TIN, NOT PEELING, WELDING OBVIOUS COLOR AND OTHER ADVERSE
  - 6-2: ROHS, REACH, HF HALOGER ADVERSE OF DOMESTIC AND INTERNATIONAL ENVIRONMENTAL REQUIREMENTS

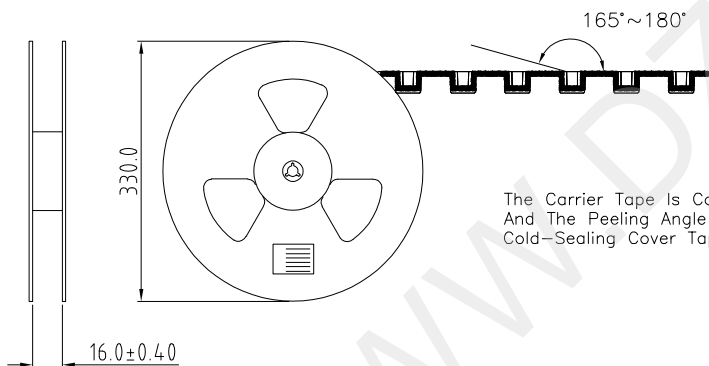


深圳市华宇创精密电子有限公司

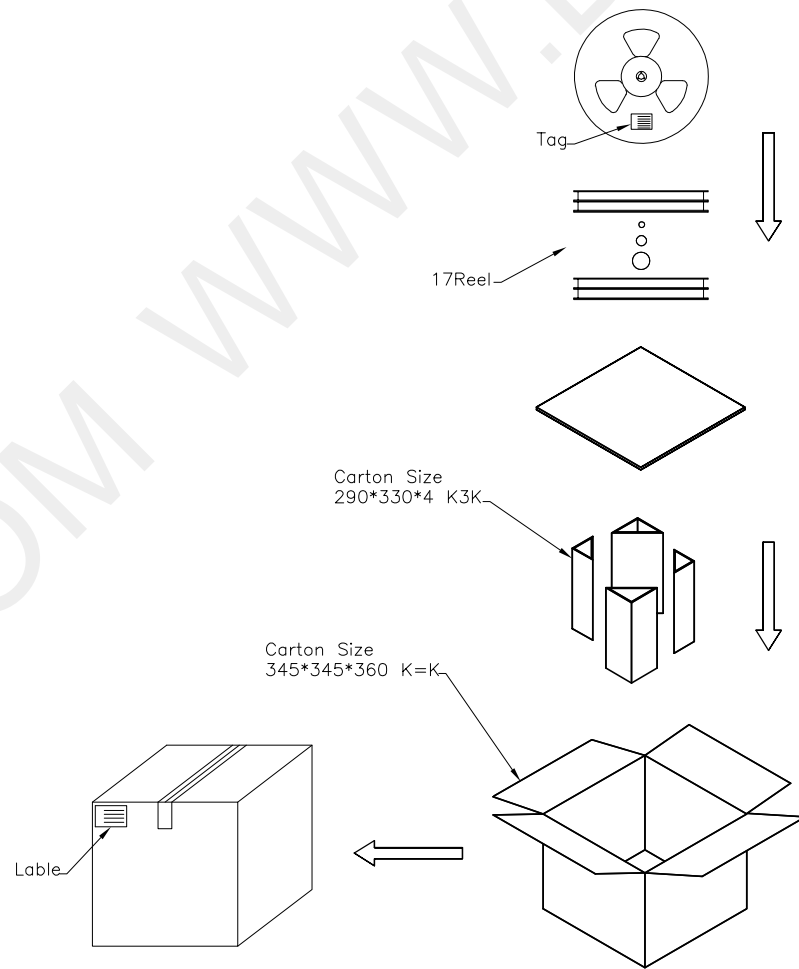
<b>TOLERANCE:</b> X.X ±0.30 X.XX ±0.25 X.XXX ±0.15 X.' ±2' X.X' ±0.5'	<b>DRAWN BY :</b> 陈一鸣	<b>DATE :</b> 2014-02-23	<b>PART NAME:</b> 屏蔽罩固定夹 1.28H	
	<b>CHECKED BY:</b> 马跃	<b>DATE :</b> 2014-02-23	<b>PART NO.</b>	HYC-PBJX12HX
 <b>UNIT: mm [inch]</b> <b>SCALE: 1:1 SIZE: A4</b>	<b>APPROVED BY:</b> 邱敏	<b>DATE :</b> 2014-02-23	<b>DRAW NO:</b>	HYC-2407101658
			<b>SHEET NO.</b>	1 OF 1




Customer To Use Direction  $\rightarrow$  Pull Out Direction (出料方向)  $\rightarrow$



The Carrier Tape is Cold-Sealed And The Peeling Angle Of The Cold-Sealing Cover Tape Is  $165^\circ \sim 180^\circ$ .



 <b>深圳市华宇创精密电子有限公司</b>			
<b>TOLERANCE:</b> X.X $\pm 0.30$ X.XX $\pm 0.25$ X.XXX $\pm 0.15$ X.' $\pm 2'$ X.X' $\pm 0.5'$	<b>DRAWN BY:</b> 陈一鸣	<b>DATE:</b> 2014-02-23	<b>PART NAME:</b> 包装图
	<b>CHECKED BY:</b> 马跃	<b>DATE:</b> 2014-02-23	<b>PART NO.</b> _____
<b>UNIT:</b> mm [inch]	<b>APPROVED BY:</b> 邱敏	<b>DATE:</b> 2014-02-23	<b>DRAW NO.:</b> _____
<b>SCALE:</b> 1:1 <b>SIZE:</b> A4			<b>SHEET NO.:</b> 1 OF 1